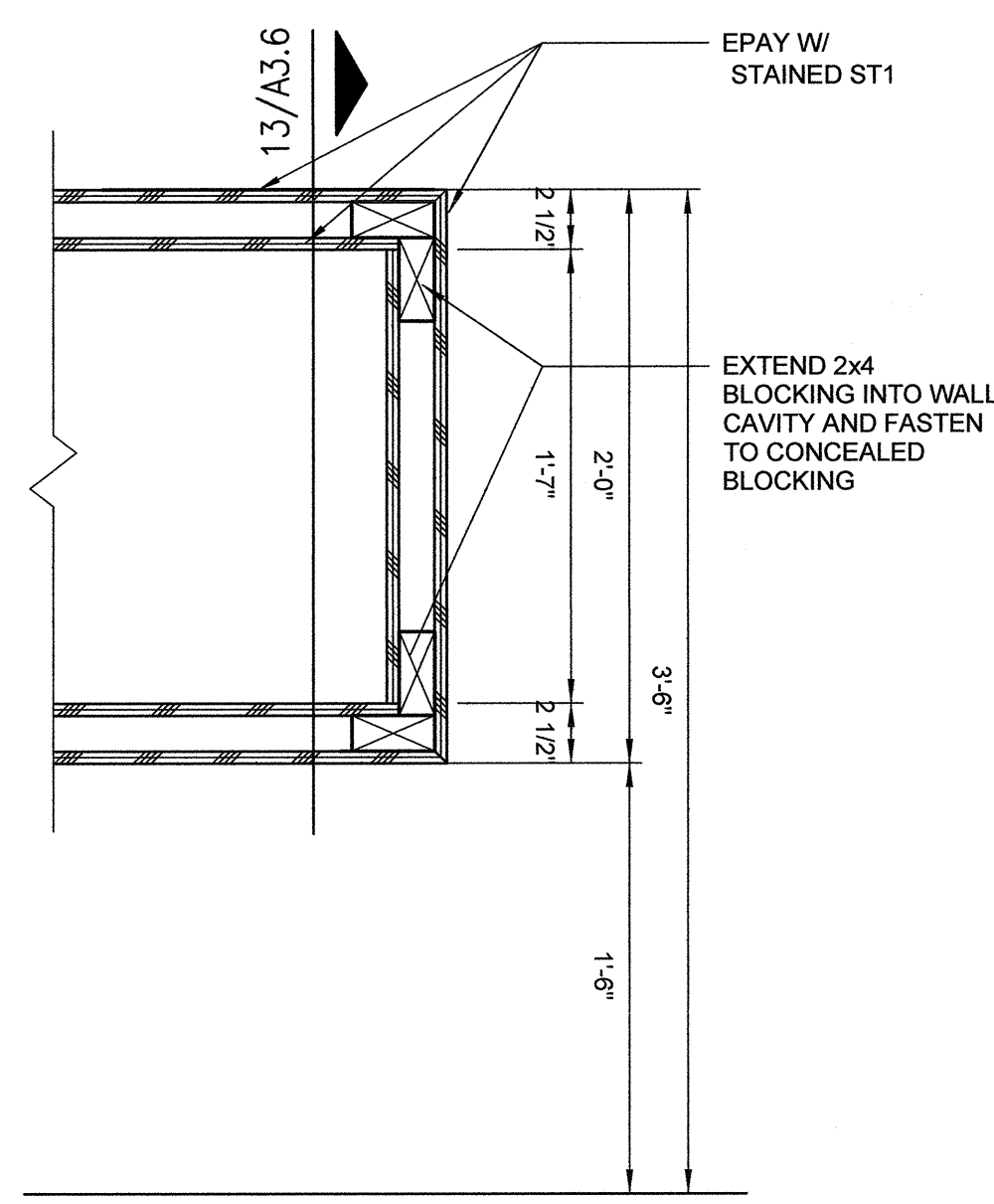


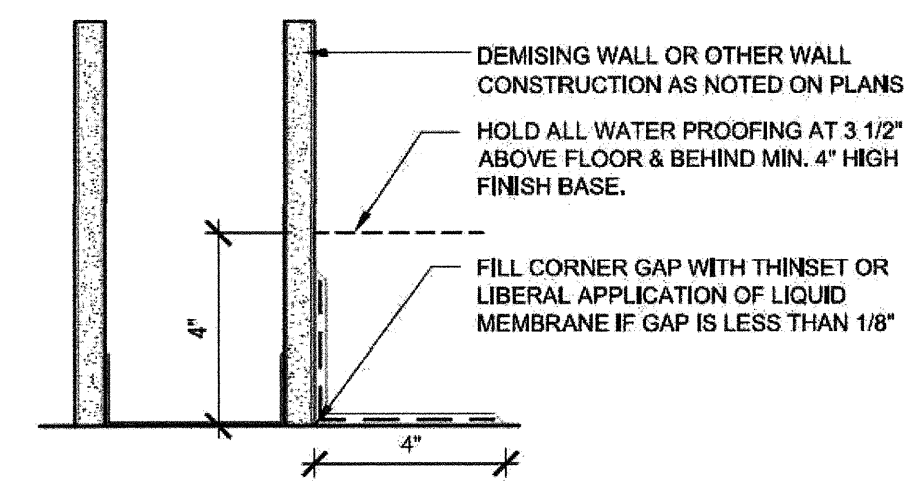
13 VICHY SHELFING 1-1/2" = 1'-0"



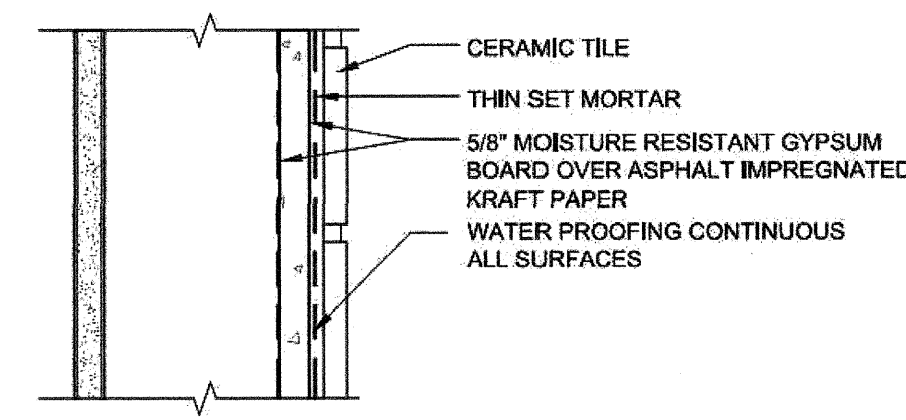
12 VICHY SHELFING 1-1/2" = 1'-0"

11 NOT USED NTS

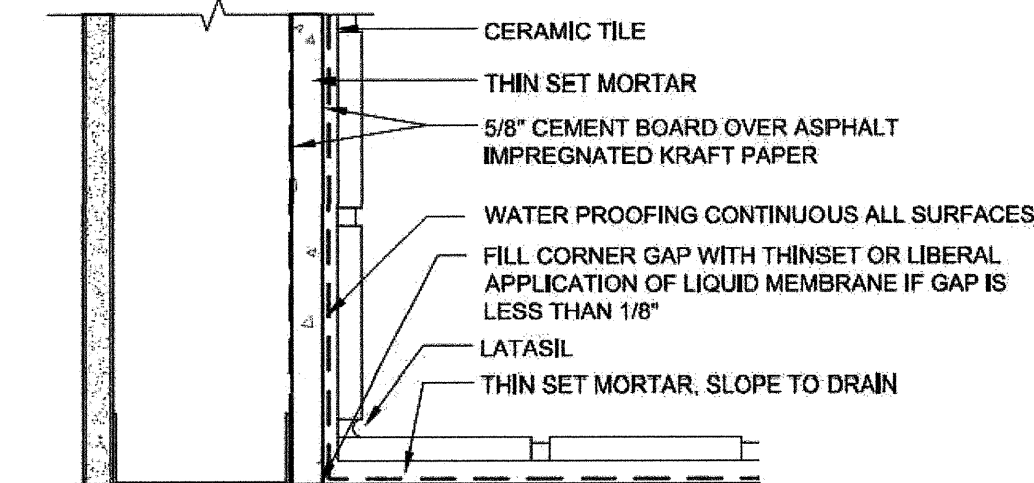
10 NOT USED NTS



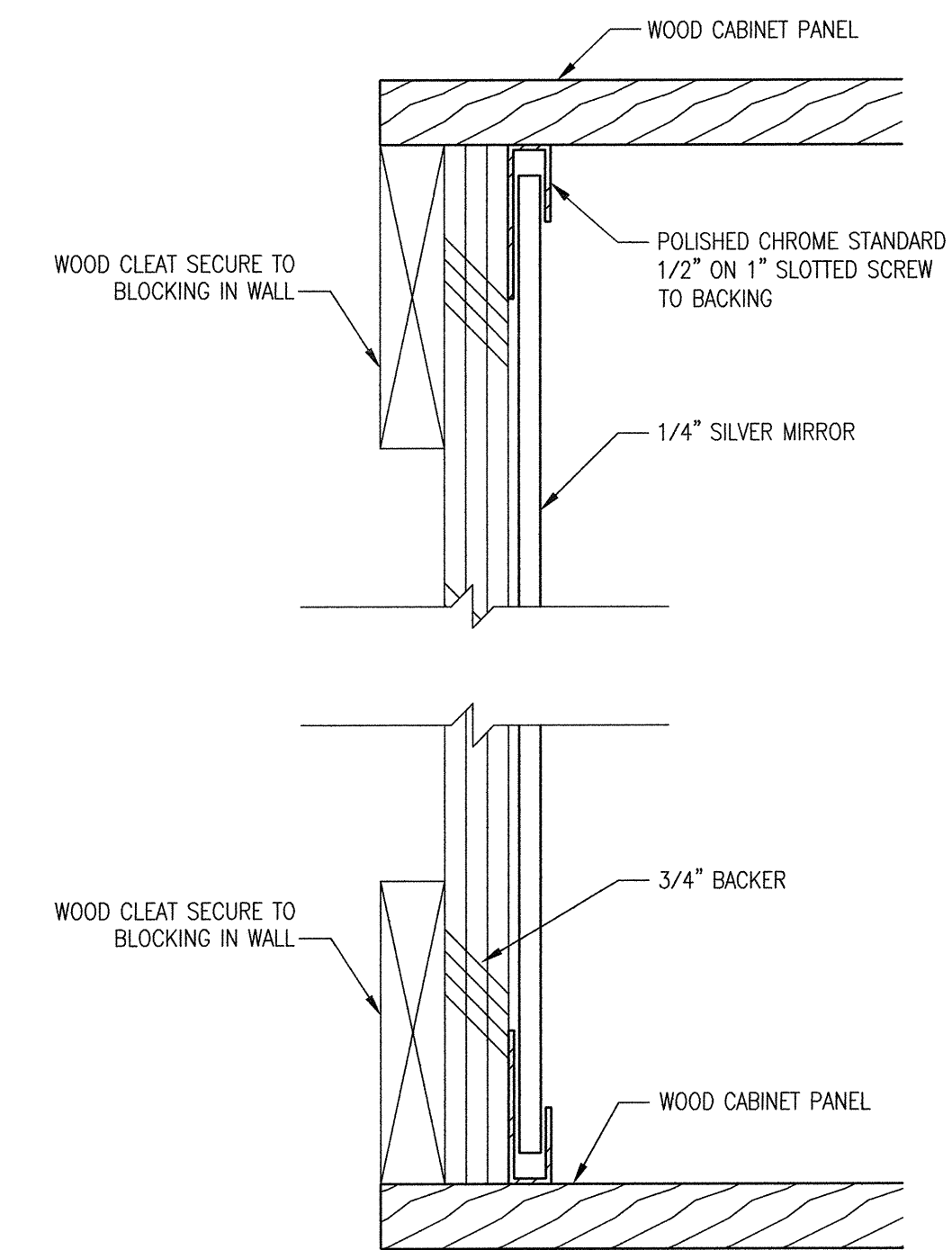
9 WATERPROOFING DETAIL NTS
WATERPROOFING MEMBRANE SYSTEM FOR
DEMISING WALLS, UTILITY CLOSET AND
CHANGING ROOM WALLS



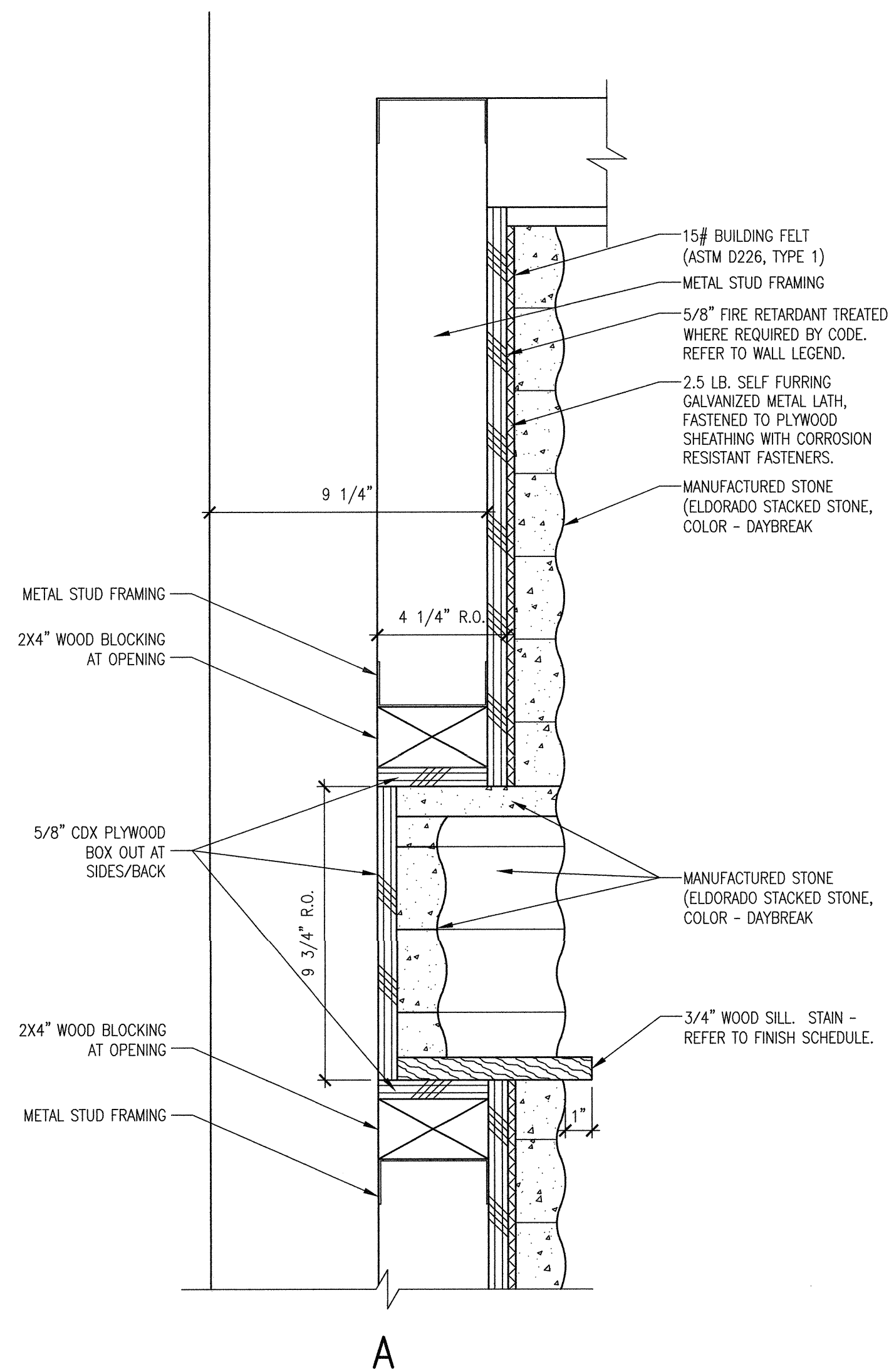
8 WATERPROOFING DETAIL NTS
WATERPROOFING MEMBRANE SYSTEM FOR
TOILET WALLS



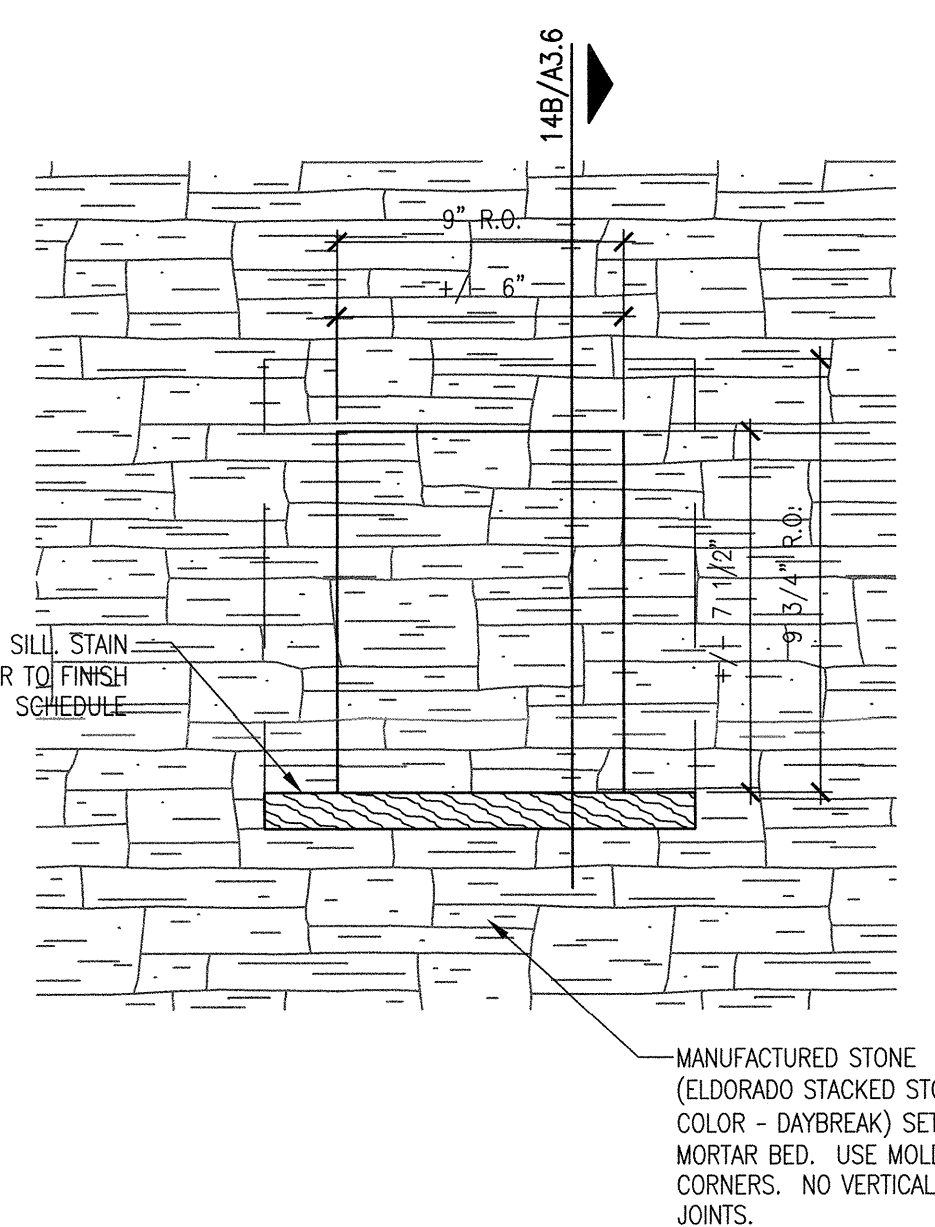
7 WATERPROOFING DETAIL NTS
WATERPROOFING MEMBRANE SYSTEM FOR
SHOWER WALLS, VICHY ROOM



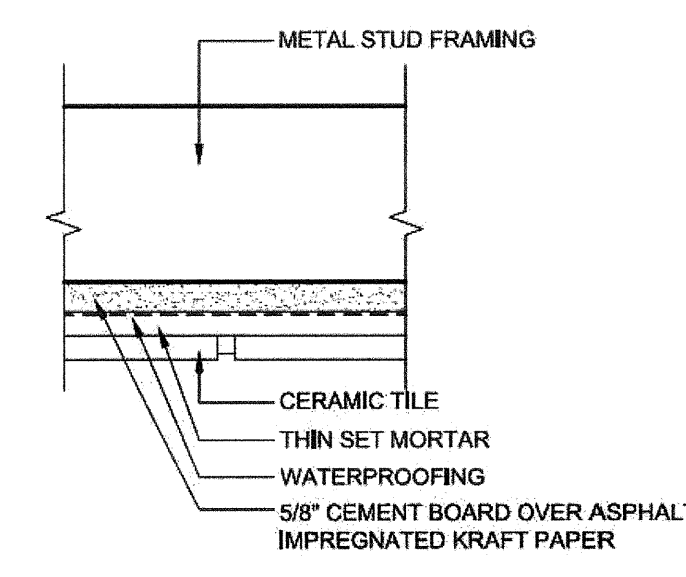
4 MIRROR DETAIL 3" = 1'-0"



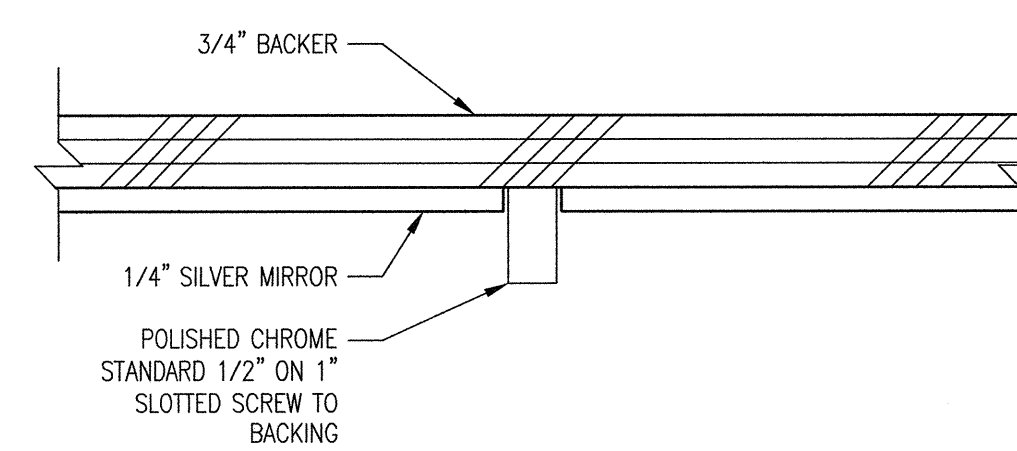
14 MANI/PEDI WALL DETAIL 3" = 1'-0"



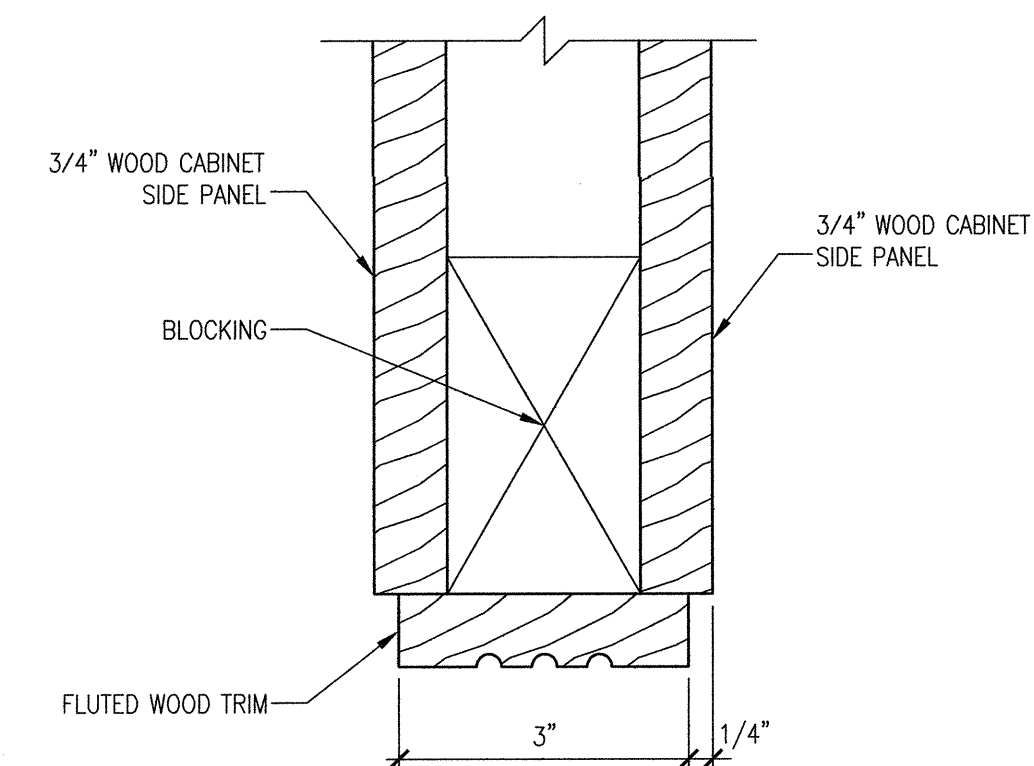
6 WATERPROOFING DETAIL NTS
WATERPROOFING MEMBRANE SYSTEM FOR
TILE CEILING



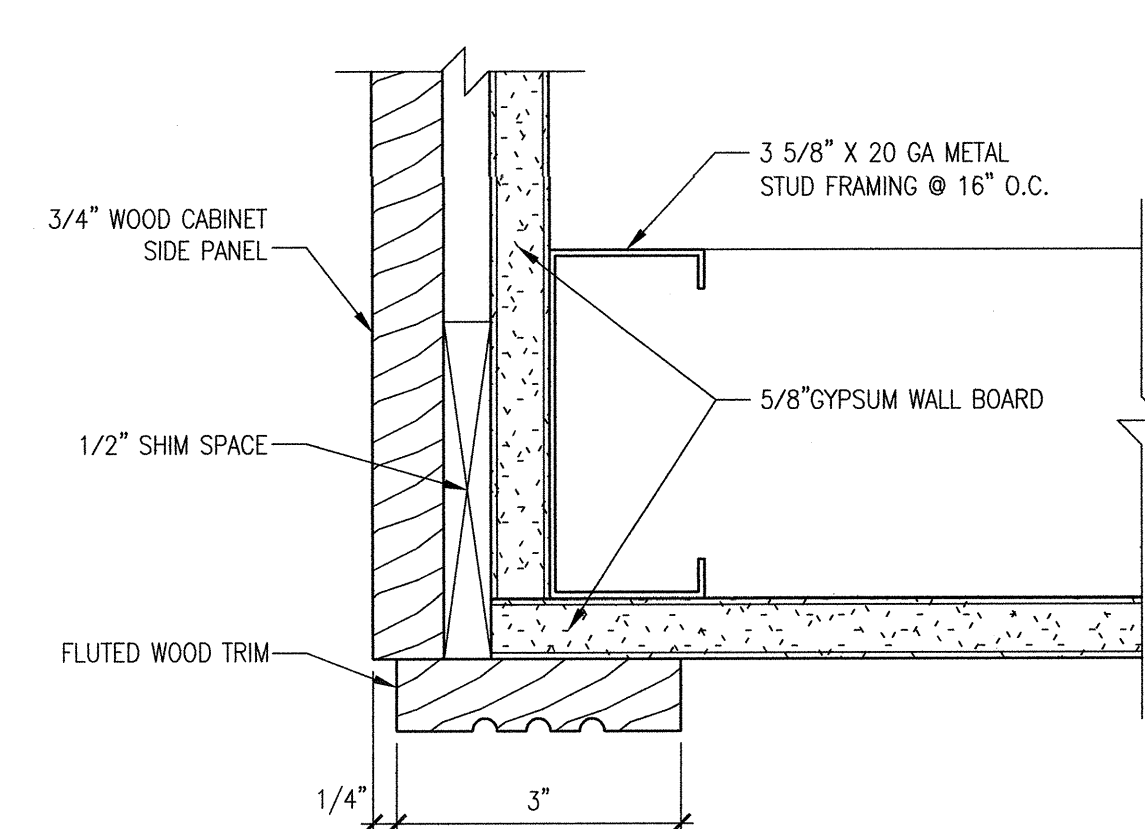
5 WATERPROOFING DETAIL NTS
WATERPROOFING MEMBRANE SYSTEM FOR
FLOOR IN SHOWER CHANGING AREA



3 MIRROR DETAIL 3" = 1'-0"



2 FLUTE WOOD DETAIL 3" = 1'-0"



1 FLUTE CORNER DETAIL 3" = 1'-0"

NO DATE REMARKS
REVISIONS

THE WOODHOUSE
day spa

WOODHOUSE DAY SPA
RENOVATION
MARKET STREET
9595 SIX PINES DRIVE
THE WOODLANDS, TEXAS 77680

PROJECT NO: 2019.0172
DATE: 04-08-2019

A3.6
MILLWORK DETAILS

CHECKED: TC DRAWN: TH

P:\Woodhouse\2019\20190172_0172_A3.6_MILLWORK_DETAILS.dwg, A3.6_MILLWORK_DETAILS.dwg, A3.6.dwg, 04/08/2019 10:28:45 AM, dwg, 04/08/2019 10:28:45 AM, 42.00, 1:1