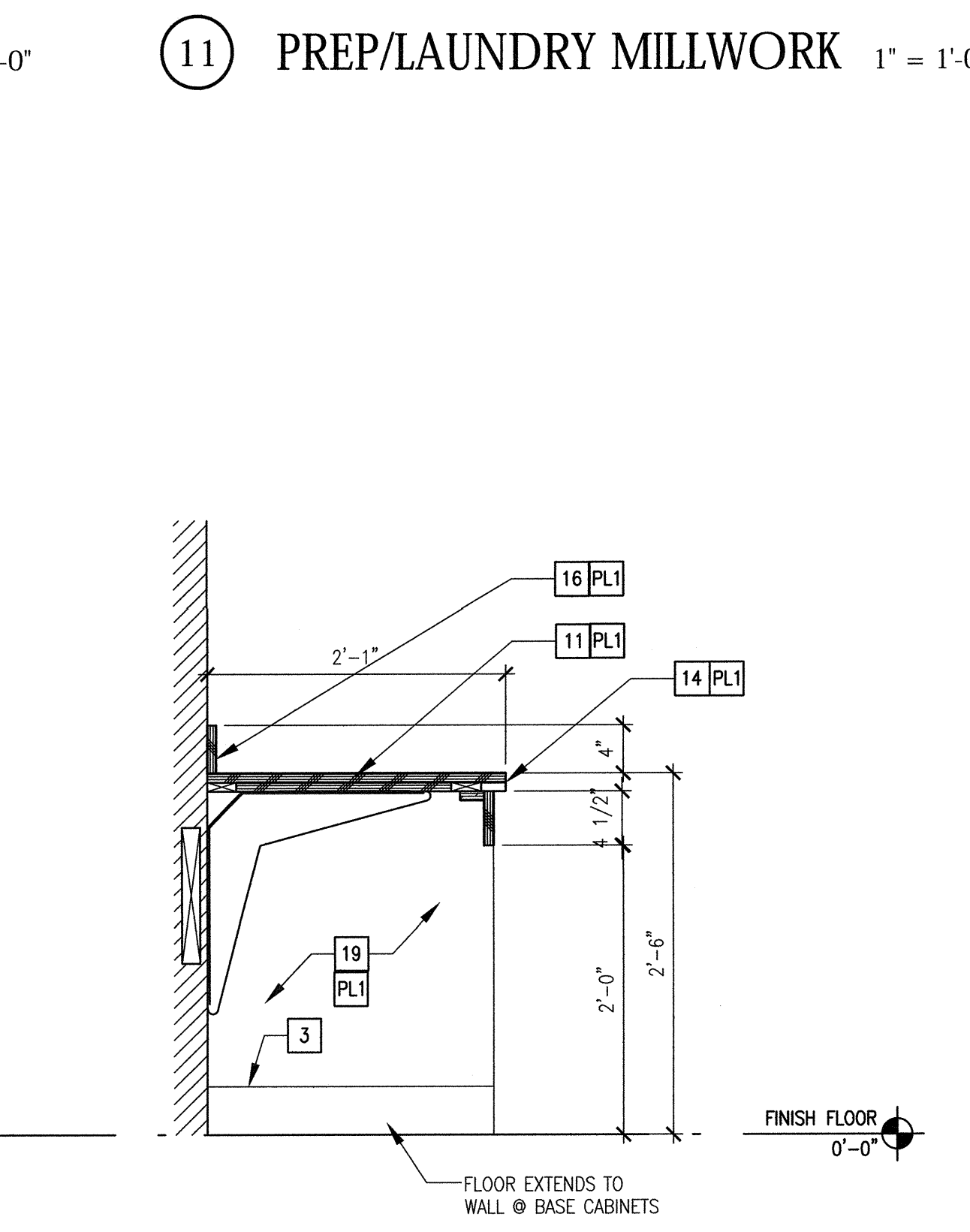
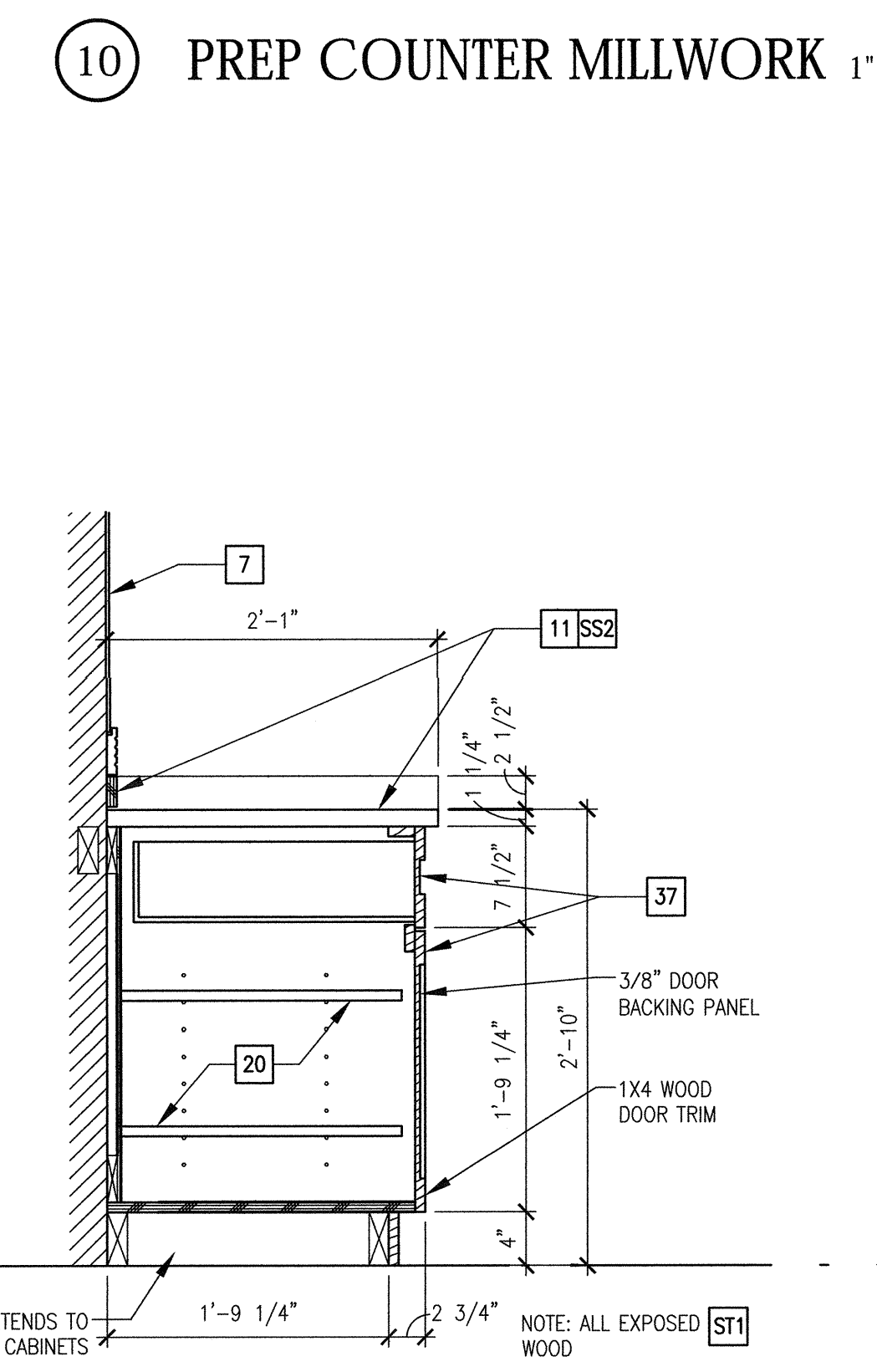
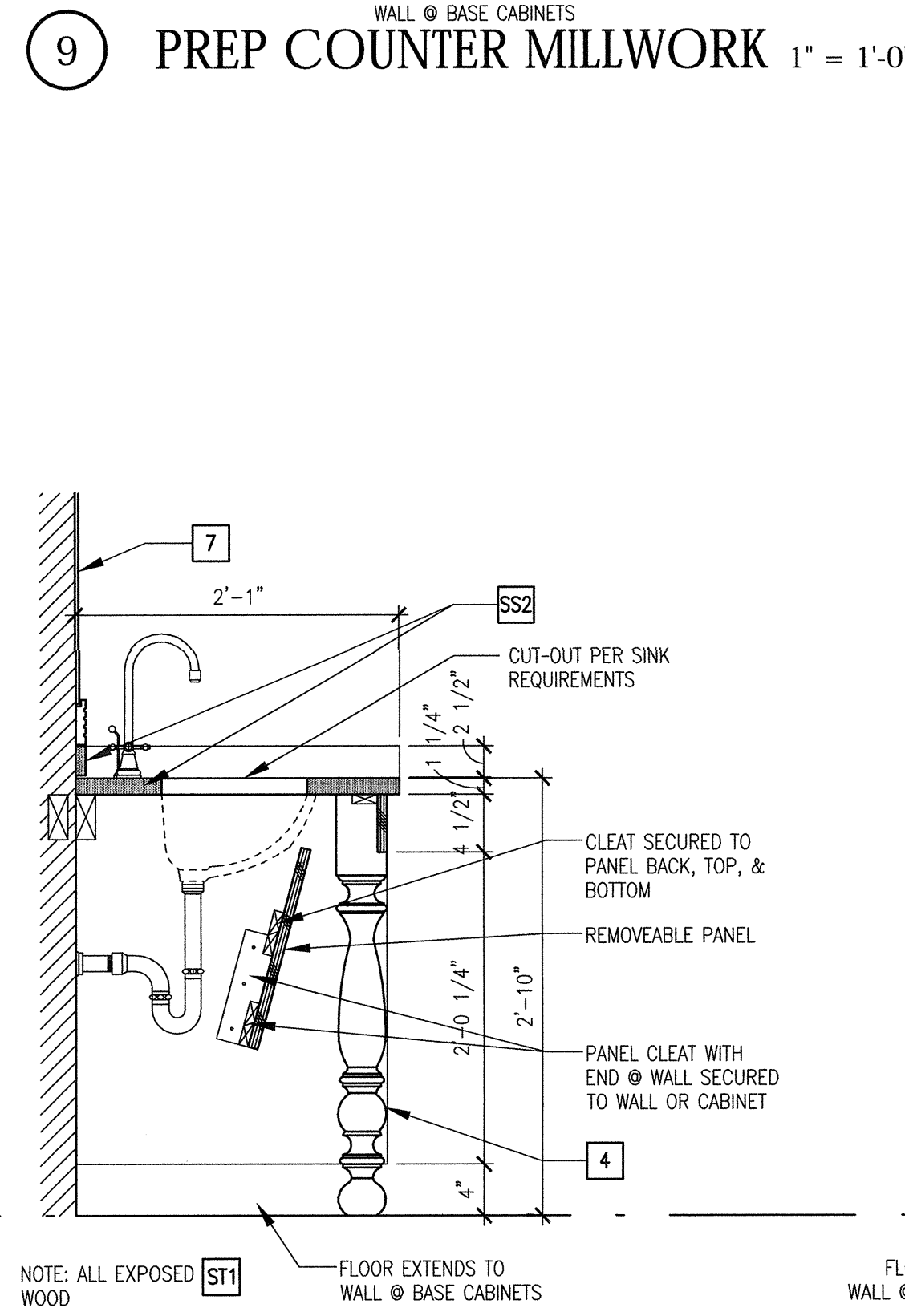
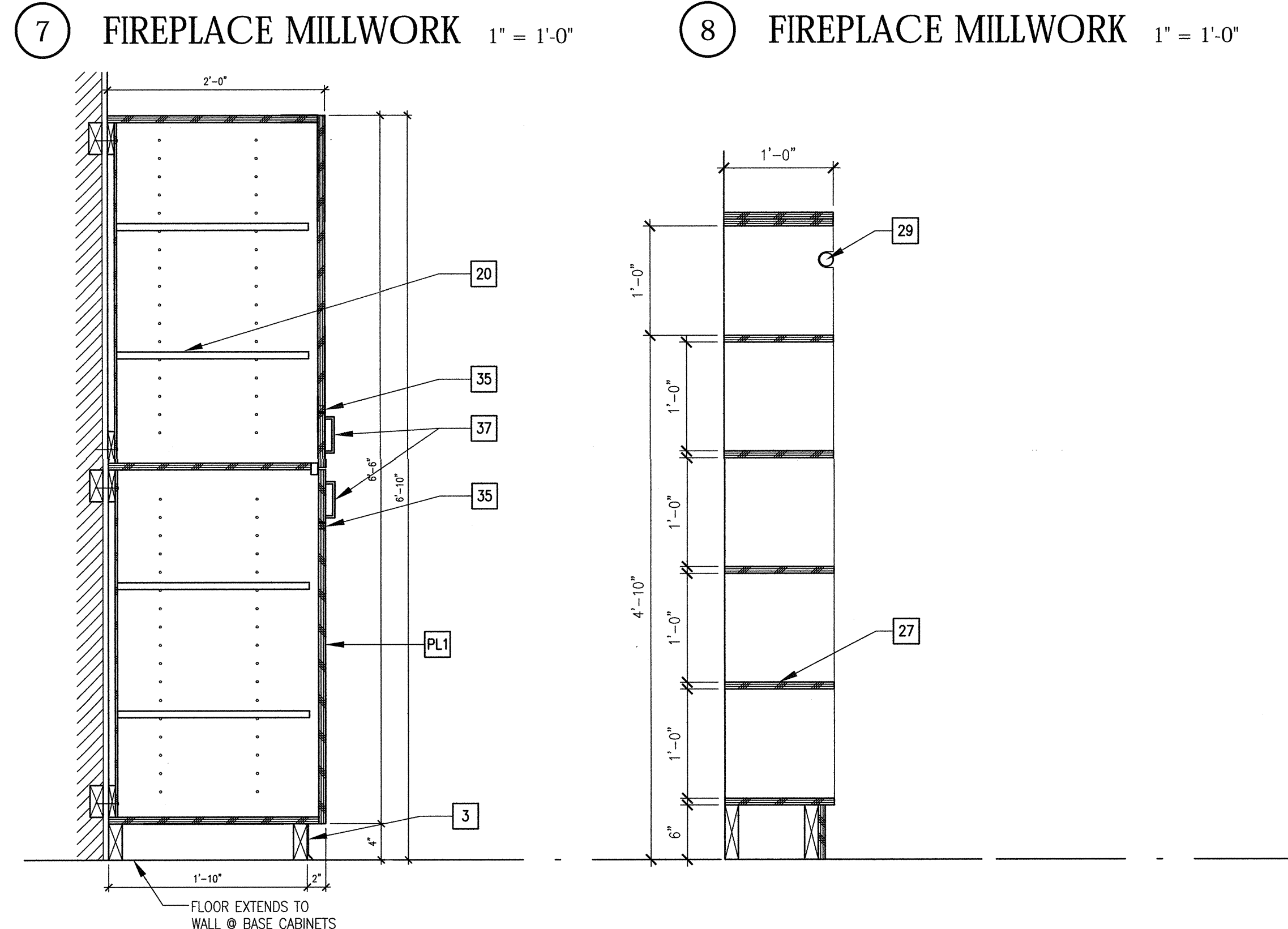


NOTE:  
SEE SHEET A4.0 FOR FINISH  
SCHEDULE AND HARDWARE  
SCHEDULE

X MILLWORK KEYNOTES		
MARK	DESCRIPTION	FINISH
1	CABINETS, TRIM, & HARDWARE, GC TO PROVIDE BLOCKING IN WALL FOR CABINET INSTALL	WD1, H5, H8
2	CABINETS, TRIM, & HARDWARE, GC TO PROVIDE BLOCKING IN WALL FOR CABINET INSTALL	WD1, H6, H8
3	4" VINYL COVE BASE BY G.C.	-
4	TURNED WOOD LEG W/ SOLID PLASTIC BOTTOM	WD1
5	SOLID SURFACE COUNTER, BACK SPLASH, SIDESPLASH	SS1
6	3/4" MELAMINE SHELVES ON WALL STANDARD AND BRACKETS	M1
7	1/8" MIRROR BACK	-
8	3/4" WOOD SHELF	WD1
9	5" CROWN MOULDING	WD1
10	1X4 WOOD DOOR TRIM	SS2
11	LAMINATE OVER 3/4" BOARD COUNTERTOP	SS2
12	1/4" SILVER MIRROR ON 3/4" BACKER	-
13	6X8 ACCESS PANEL FOR DISPLAY LIGHT ELECTRICAL CONNECTION	-
14	P-LAM COUNTER WITH COLOR MATCH T-NOSE EDGE TRIM	PL1
15	1/4" CLEAR TEMPERED GLASS SHELF	-
16	4" HIGH P-LAM BACKSPLASH AND SIDESPLASH	PL1
17	CABINETS & HARDWARE, GC TO PROVIDE BLOCKING IN WALL FOR CABINET INSTALL	H4, H7, H8
18	4" P-LAM OVER 3/4" BOARD APRON	PL1
19	P-LAM OVER 3/4" BOARD COUNTER SUPPORT	PL1
20	ADJUSTABLE SHELVES- 3/4" MELAMINE SHELF ON CHROME, STEEL PINS	M2
21	MICROWAVE SHELF- P-LAM ON 3/4" WOOD SHELF	PL1
22	10" KNOCK-OUT IN COUNTERTOP W/ FINISHED EDGE	L1, H7, H8
23	3/8" DOOR BACKING PANEL	-
24	4" HIGH SOLID SURFACE BACKSPLASH AND SIDESPLASH	SS2
25	LED STRIP LIGHT	-
26	LED PUCK LIGHT BY MILLWORK VENDOR. (2) PER DISPLAY UNIT	-
27	12" DEEP WHITE MELAMINE CUBE UNIT	M1
28	2X WOOD CLEAT	-
29	HEAVY DUTY CLOSET ROD	H9
30	PERMANENT WOOD SHELF/TOP	WD1
31	MOLDED STEEL DRAWER BOX W/ STAINED WOOD DRAWER FRONT, HEAVY DUTY FULL EXTENSION DRAWER SLIDES	-
32	DETAIL MOULDING	WD1
33	PICTURE FRAME MOULDING	WD1
34	3/4" WOOD PANEL	WD1
35	LOCK	-
36	14"X16" ELLIPSE KNOCK-OUT IN COUNTERTOP W/ FINISHED EDGE	-
37	SUMNER STREET HOME HARDWARE OVAL 3" CENTER TO CENTER BRONZE OVAL CUP DRAWER PULL UNSPEC # 31162800	-



NO DATE REMARKS  
REVISIONS

THE WOODHOUSE  
day spa®

WOODHOUSE DAY SPA  
RENOVATION  
MARKET STREET  
9595 SIX PINES DRIVE  
THE WOODLANDS, TEXAS 77680

PROJECT NO: 2019.0172  
DATE: 04-08-2019

A3.5  
MILLWORK DETAILS

CHECKED: TG DRAWN: TH