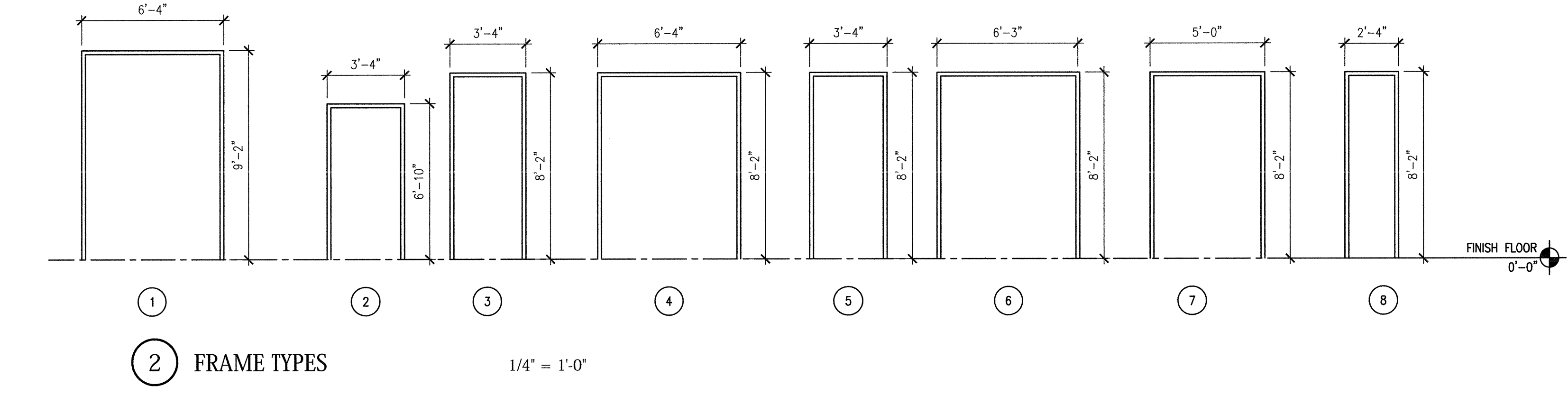
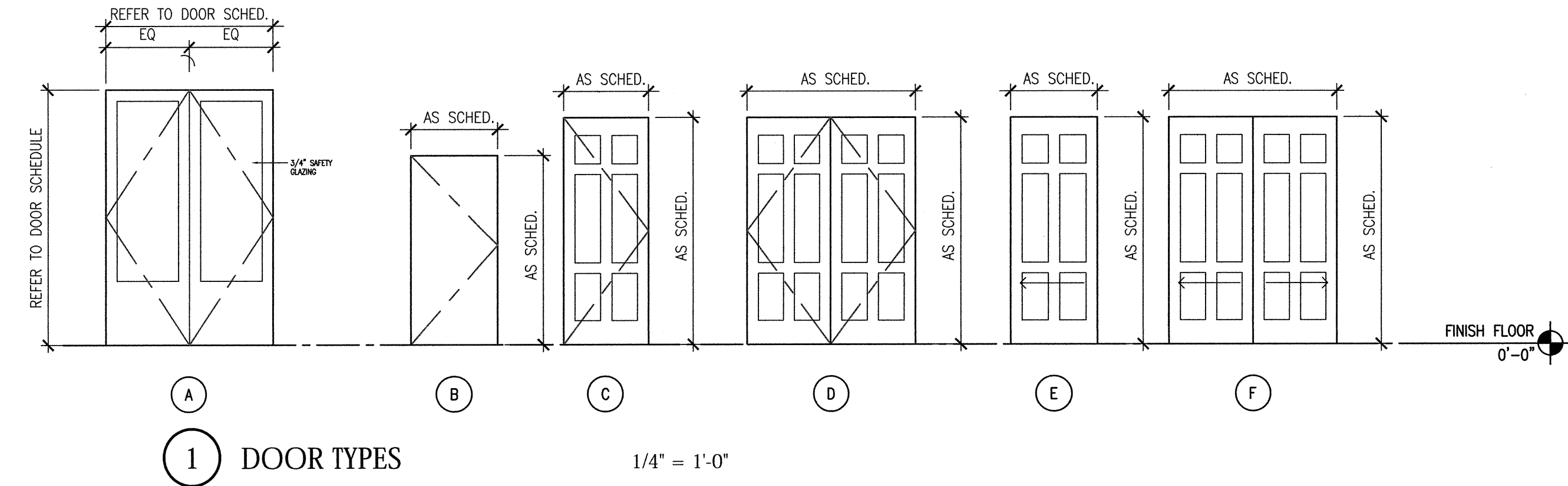




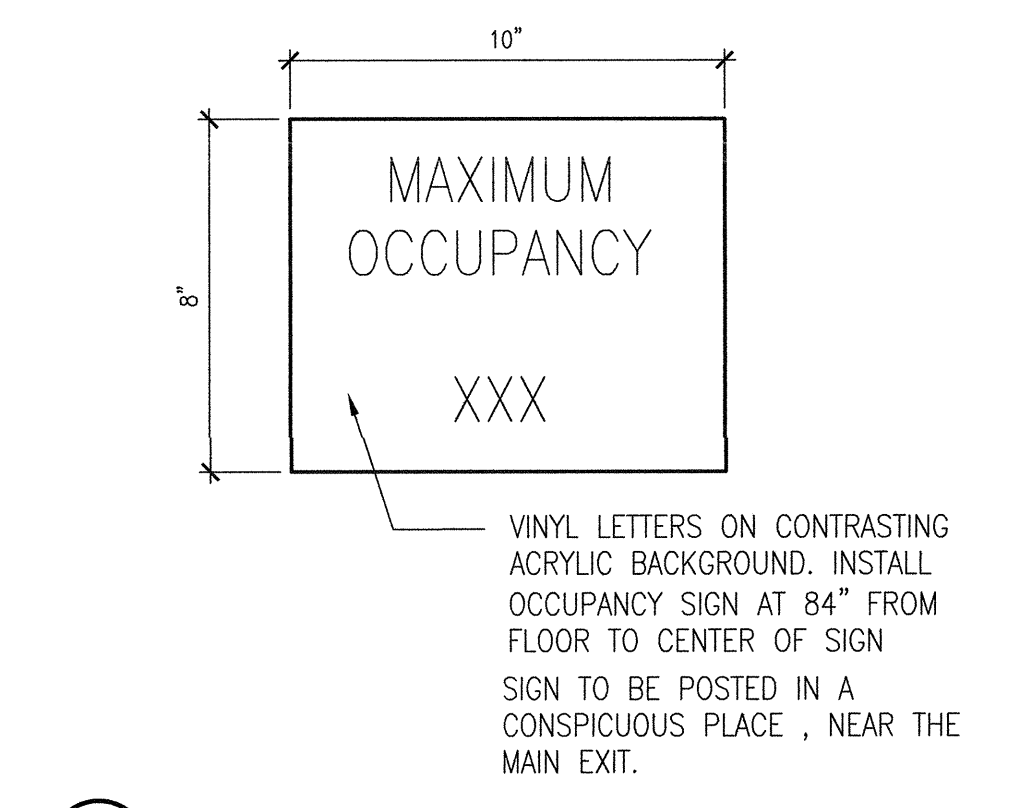
GENERAL DOOR NOTES	
1	ALL HARDWARE SHALL BE ANSI/BMHA FINISH 613, OIL RUBBED BRONZE (U510B) EXCEPT AS NOTED.
2	PROVIDE EXTRA LONG SCREWS FOR HINGES TO PENETRATE BLOCKING.
3	ALL INTERIOR DOORS SHALL BE STAIN GRADE, PINE. EXTERIOR ENTRANCE DOOR SHALL BE MAHAGONY.
4	ALL INTERIOR WOOD DOORS AND WOOD FRAMES PRE-HUNG
5	ALL DOORS TO BE STAINED ST-2, U.O.N. MISSION OAK BY SHERWIN WILLIAMS
6	ALL BLOCKING TO BE FIRE RETARDANT TREATED LUMBER

DOOR HARDWARE	
GROUP 1 - DESCRIPTION: STOREFRONT DOORS (PROVIDE FOR EACH LEAF)	
2 PAIR BUTT HINGES, BALL BEARING STAINLESS STEEL, NON REMOVABLE PINS, IVES 58B1, 613 FINISH EACH LEAF. CLOSER LCN 1460, PARALLEL ARM CLOSER WITH HOLD OPEN FUNCTION, PUSH SIDE TOP OF JAMB MOUNTING, FINISH 613 FULL SADDLE THRESHOLD PEMKO 171-D (DARK BRONZE ANODIZED FINISH), 5" WIDE X 12" HIGH, FIELD VERIFY WIDTH REQUIRED FULL WEATHER STRIPPING - PEMKO P506L, KERF-IN WEATHER STRIPPING. DOOR SWEEP - PEMKO 293100NB BRUSH GASKET WITH CONCEALED FASTENERS, DARK BRONZE WITH BLACK BRUSH. ASTRAGAL SEAL - PEMKO 300DP (DARK BRONZE FINISH) RECESSED INTO DOOR. EACH LEAF - BALDWIN TRENTON PULL 2692.102 (OIL RUBBED BRONZE) MOUNTED ON ARCHED PLATE 2262.102 (OIL RUBBED BRONZE) DOOR THICKNESS OF 1.25" - 2.25" REQUIRES 6551,000,0 CONVERSION KIT (1) VON DUPRIN SURFACE MOUNTED VERTICAL ROD EXIT DEVICE 9827NL-OP LUTRIM (OIL RUBBED BRONZE FINISH) (1) VON DUPRIN SURFACE MOUNTED VERTICAL ROD EXIT DEVICE 9827EO LUTRIM (OIL RUBBED BRONZE FINISH) (1) MORTISE CYLINDER LOCK (OIL RUBBED BRONZE FINISH)	
GROUP 2 - DESCRIPTION: EXISTING REAR DOOR	
EXISTING HINGES, PANIC HARDWARE, CYLINDERS, CONES, PULLS, CLOSER, PLATES, SWEEPS, WEATHER STRIPPING, AND DRIP CAP ARE TO REMAIN. GC TO REPAIR AND REPLACE AS REQUIRED TO OPERATE IN LIKE NEW CONDITION. RE-KEY LOCKING DEVICES. ALL FINISHES SHALL MATCH EXISTING CONDITIONS.	
GROUP 3 - DESCRIPTION: POCKET DOOR - LOCK	
HEAVY DUTY COMMERCIAL POCKET DOOR FRAME RATED FOR DOORS 125 LB. OR GREATER. HAGER 9631 TRACK INSTALLATION KIT: HAGER 9634 ADAPTER KIT FOR 1 3/4" DOORS. (KIT INCLUDES TRACK, STOPS 4 WHEEL BALL BEARING CAMERS, BUMPER HANGERS) 2002 CPDP SPRING LOADED EDGE FULL AT 36" A.F.F. AND S 2002 FLUSH PULL AT 48" A.F.F. FINISH 613. STACK TO BE ADA COMPLAINT. 2002 CPDL-3 ENTRY LOCK, 7200A4 THUMBTURN, 2153 CLOVER CAM CYLINDER.	
GROUP 4 - DESCRIPTION: SWING DOOR - PASSAGE AND ENCLOSURE	
2 PAIR BUTTS, IVES 58B2 BALL BEARING SPRING HINGE FINISH 613 LEVER LATCH SET PASSAGE FUNCTION, SCHLAGE F10 ACC 613, ACCENT LEVER STYLE, FINISH 613 SILENCERS, GRAY COLOR - FRICTION FIT, IVES SR65 FLOOR MOUNT DOOR STOP, IVES FA17 OR FS13 DOME STOP FINISH 613. COORDINATE HEIGHT WITH DOOR UNDERCUT AND FLOOR FINISH	
GROUP 5 - DESCRIPTION: SWING DOOR - PRIVACY	
1 1/2 PAIR BUTTS, IVES 58B1 BALL BEARING SPRING HINGE FINISH 613 LEVER LATCH SET PRIVACY FUNCTION, SCHLAGE F40 ACC 613, ACCENT LEVER STYLE FINISH 613 SILENCERS, GRAY COLOR - FRICTION FIT, IVES SR65 FLOOR MOUNT DOOR STOP, IVES FA17 OR FS13 DOME STOP FINISH 613. COORDINATE HEIGHT WITH DOOR UNDERCUT AND FLOOR FINISH	
GROUP 6 - DESCRIPTION: SWING DOOR - PASSAGE	
2 PAIR BUTTS, IVES 58B1 BALL BEARING HINGE FINISH 613 LEVER LATCH SET PASSAGE FUNCTION, SCHLAGE F10 ACC 613, ACCENT LEVER STYLE, FINISH 613 SILENCERS, GRAY COLOR - FRICTION FIT, IVES SR65 FLOOR MOUNT DOOR STOP, IVES FA17 OR FS13 DOME STOP FINISH 613. COORDINATE HEIGHT WITH DOOR UNDERCUT	
GROUP 7 - DESCRIPTION: SWING DOOR - CLOSET (PROVIDE AT EACH LEAF)	
2 PAIR BUTTS, IVES 58B1 BALL BEARING, FINISH 613 LEVER HANDLE NON-TURNING (DUMMY HANDLE) SCHLAGE F40 ACC 613, ACCENT STYLE LEVER, FINISH 613 BALL CATCH AND STRIKE, IVES 349, FINISH 613. MOUNT AT DOOR HEAD SILENCERS, GRAY COLOR - FRICTION FIT, IVES SR65	
GROUP 8 - DESCRIPTION: POCKET DOOR - NO LOCK	
HEAVY DUTY COMMERCIAL POCKET DOOR FRAME RATED FOR DOORS 125 LB. OR GREATER. HAGER 9631 TRACK INSTALLATION KIT: HAGER 9634 ADAPTER KIT FOR 1 3/4" DOORS. (KIT INCLUDES TRACK, STOPS 4 WHEEL BALL BEARING CAMERS, BUMPER HANGERS) 2002 CPDP SPRING LOADED EDGE FULL AT 36" A.F.F. AND S 2002 FLUSH PULL AT 48" A.F.F. FINISH 613. STACK TO BE ADA COMPLAINT, EACH LEAF.	



DOOR SCHEDULE									
#	LOCATION	DOOR TYPE	WIDTH	HEIGHT	THICKNESS	FRAME TYPE	HARDWARE	COMMENTS	
101	RETAIL 101	A	PAIR 3'-0"	9'-0"	1-3/4"	1	ALUM.		
102	MAN/PEDI 102	F	PAIR 2'-6"	8'-0"	1-3/4"	6	WOOD, POCKET	3	W/ CLOSER, VERIFY HT. OF FRAME
103	MEN'S DRESSING ROOM 103	C	3'-0"	8'-0"	1-3/4"	3	WOOD	4	UNDERCUT DOOR 1" W/ CLOSER
104	ACCESSIBLE SHOWER 104	C	3'-0"	6'-8"	1-3/4"	3	WOOD	5	UNDERCUT DOOR 1"
105	ACCESSIBLE TOILET 105	C	3'-0"	6'-8"	1-3/4"	3	WOOD	5	UNDERCUT DOOR 1"
106	ROBE CLOSET 106	C	PAIR 2'-6"	8'-0"	1-3/4"	7	WOOD	7	
107	WOMEN'S DRESSING ROOM 107	C	3'-0"	8'-0"	1-3/4"	3	WOOD	4	UNDERCUT DOOR 1" W/ CLOSER
108	DRESSING 108	C	2'-6"	6'-8"	1-3/4"	3	WOOD, POCKET	5	UNDERCUT DOOR 1"
109	ACCESSIBLE TOILET 109	C	3'-0"	6'-8"	1-3/4"	3	WOOD	5	UNDERCUT DOOR 1"
110	DRESSING 110	C	2'-6"	6'-8"	1-3/4"	3	WOOD	5	UNDERCUT DOOR 1"
111	ACCESSIBLE TOILET 111	C	3'-0"	6'-8"	1-3/4"	3	WOOD	5	UNDERCUT DOOR 1"
112	TUB 1 112	C	3'-0"	8'-0"	1-3/4"	3	WOOD	6	
114	STORAGE 114	C	3'-0"	8'-0"	1-3/4"	3	WOOD	7	
115	DUET 115	F	PAIR 2'-3"	8'-0"	1-3/4"	6	WOOD, POCKET	6	
116	WATER HEATER 116	C	3'-0"	8'-0"	1-3/4"	3	WOOD	7	
117	VICHY 117	C	3'-0"	8'-0"	1-3/4"	3	WOOD	6	W/ CLOSER
118A	PREP 118	C	3'-0"	8'-0"	1-3/4"	5	WOOD	6	W/ CLOSER
118B	PREP 118	E	3'-0"	8'-0"	1-3/4"	3	WOOD, POCKET	3	
119A	REAR EXIT 119	C	3'-0"	8'-0"	1-3/4"	3	WOOD	6	W/ CLOSER
119B	REAR EXIT 119	B	3'-0"	7'-0"	1-3/4"	3	EXISTING H.M.	EXISTING 2	W/ CLOSER
120	UNISEX TOILET 120	C	3'-0"	6'-8"	1-3/4"	5	WOOD	5	UNDERCUT DOOR 1"
121A	LAUNDRY 121	E	3'-0"	6'-8"	1-3/4"	3	WOOD, POCKET	6	
121B	LAUNDRY 121	C	3'-0"	6'-8"	1-3/4"	3	WOOD	6	
122	FACIAL 122	C	3'-0"	8'-0"	1-3/4"	3	WOOD	6	
123	FACIAL 123	C	3'-0"	8'-0"	1-3/4"	3	WOOD	7	
124	FACIAL 124	C	3'-0"	8'-0"	1-3/4"	3	WOOD	6	
125	FACIAL 125	C	3'-0"	8'-0"	1-3/4"	3	WOOD	6	
126	FACIAL 126	C	3'-0"	8'-0"	1-3/4"	3	WOOD	6	
127A	OFFICE 127	C	2'-6"	8'-0"	1-3/4"	3	WOOD	5	W/ CLOSER
127B	IT CLOSET 128	B	PAIR 2'-0"	6'-8"	1-3/4"	3	WOOD	5	
131	CORRIDOR 131	C	3'-0"	8'-0"	1-3/4"	3	WOOD		
132A	QUIET ROOM	F	PAIR 2'-6"	8'-0"	1-3/4"	5	WOOD, POCKET	3	
132B	QUIET ROOM #1	E	2'-6"	8'-0"	1-3/4"	5	WOOD, POCKET	3	
133	QUIET ROOM #2 133	C	PAIR 3'-0"	8'-0"	1-3/4"	5	WOOD	3	
134	QUIET ROOM #3 134	F	PAIR 2'-6"	8'-0"	1-3/4"	6	WOOD, POCKET	3	
135	MASSAGE 135	C	3'-0"	8'-0"	1-3/4"	5	WOOD	6	
136	MASSAGE 136	C	3'-0"	8'-0"	1-3/4"	3	WOOD	6	
137	MASSAGE 137	C	3'-0"	8'-0"	1-3/4"	3	WOOD	6	
138	MASSAGE 138	C	3'-0"	8'-0"	1-3/4"	3	WOOD	6	
139	DISPLAY 139	C	2'-0"	8'-0"	1-3/4"	8	WOOD	6	

* COMMENTS
1. INSPECT, REPAIR, REPLACE AND PAINT EXISTING DOOR, FRAME AND HARDWARE AS REQUIRED TO OPERATE IN LIKE NEW CONDITION



3 ROOM GRAPHIC NTS

NO	DATE	REVISIONS	REMARKS

THE WOODHOUSE
day spa

WOODHOUSE DAY SPA
RENOVATION
MARKET STREET
9595 SIX PINES DRIVE
THE WOODLANDS, TEXAS 77680

PROJECT NO: 2019.0172
DATE: 04-08-2019

A2.1
DOOR SCHEDULE

CHECKED: TG DRAWN: KW

P:\Woodhouse\dayspa\A210172 - 2019 - Six Pines Drive, Suite 1701, The Woodlands, TX 77380\Drawings\Construction Documents\20190172 A2 - DOOR SCHEDULE.dwg, Layer: 0, 4/15/2019 10:20:11 AM, dwg: DWG to PDF job, A031 export to PDF job, x-clip, sheet: 11